

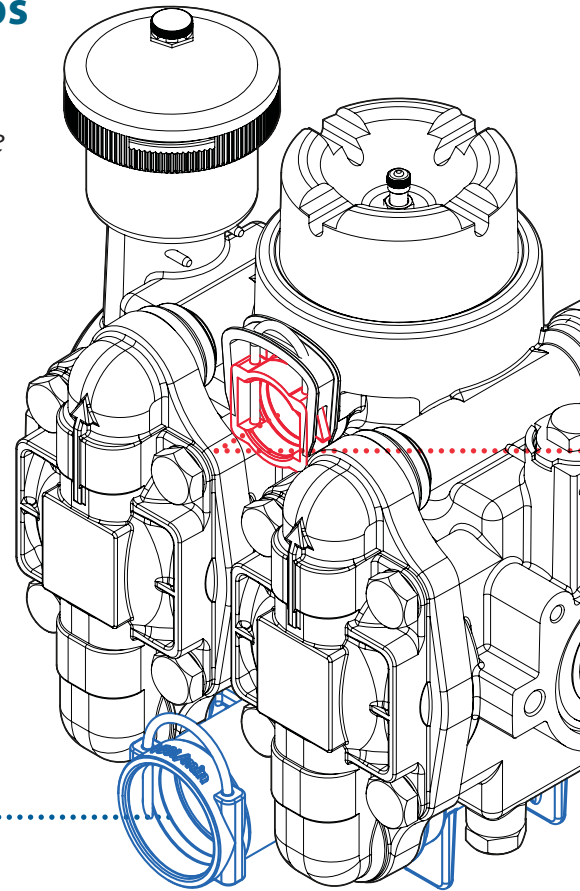
# Fittings for the piston diaphragm pumps Fittings für die Kolbranpumpen

## Fittings for Inlets Fittings für Sauganschlüsse

P70	P100	P120	P150	P200
AS40	AS40	AS50	AS50	AS50

Article no. Artikel-Nr.	Male hose tail Stecktülle	Article no. Artikel-Nr.	Male hose tail Stecktülle
AS40	08874 $\varnothing$ 33 mm	AS50	24891 $\varnothing$ 39 mm
	08275 $\varnothing$ 39 mm		17330 $\varnothing$ 46 mm

Article no. Artikel-Nr.	Male hose tail Stecktülle	Article no. Artikel-Nr.	Male hose tail Stecktülle
AS40	04581 $\varnothing$ 33 mm	AS50	22040 $\varnothing$ 39 mm
	06247 $\varnothing$ 39 mm		17157 $\varnothing$ 46 mm
	17409 $\varnothing$ 46 mm		



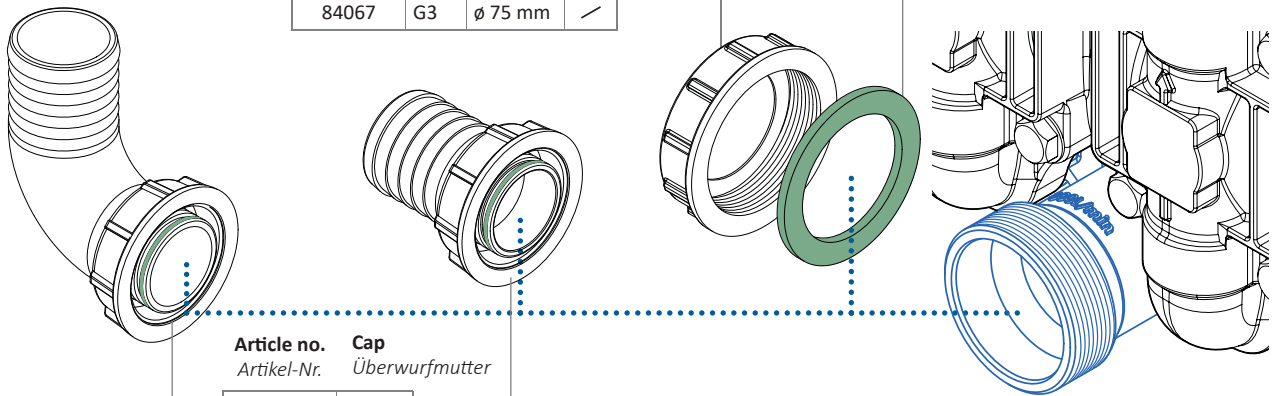
P260	P300	P380	P500
G2	G2½	G2½	G3

Article no. Artikel-Nr.	Male hose tail Stecktülle	Article no. Artikel-Nr.	Male hose tail Stecktülle
81496	G2 $\varnothing$ 50 mm	81167	G2 $\varnothing$ 50 mm
81541	G2½ $\varnothing$ 60 mm	81540	G2½ $\varnothing$ 60 mm
82247	G3 $\varnothing$ 60 mm	82245	G3 $\varnothing$ 60 mm

Article no. Artikel-Nr.	Male hose tail Stecktülle	Article no. Artikel-Nr.	Male hose tail Stecktülle
84067	G3 $\varnothing$ 75 mm		

Article no. Artikel-Nr.	Blind cap Blindkappe
82856	G2
81717	G2½
83835	G3

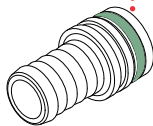
Article no. Artikel-Nr.	Flat seal Flachdichtung
83727	G2
82813	G2½
82857	G3



Article no. Artikel-Nr.	Cap Überwurfmutter
81498	G2
81716	G2½
82248	G3

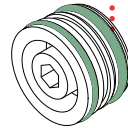
## Fittings for Outlets *Fittings für Druckanschlüsse*

P70	P100	P120	P150	P200	P260	P300	P380	P500
AS30	AS30	AS30	AS30	AS30	AS30	AS40	AS40	AS40



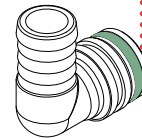
**Article no.** Male hose tail  
*Artikel-Nr.* Stecktülle

AS30	81119	ø 25 mm	↙
	01399	ø 33 mm	↙
AS40	04581	ø 33 mm	↙
	06247	ø 39 mm	↙
	17409	ø 46 mm	↙



**Article no.** Dummy plug  
*Artikel-Nr.* Blindstopfen

80333	AS40
-------	------



**Article no.** Male hose tail  
*Artikel-Nr.* Stecktülle

AS30	08337	ø 25 mm	┘
	33793	ø 33 mm	┘
AS40	08874	ø 33 mm	┘
	08275	ø 39 mm	┘

**Special Design  
upon Request**

*Sonderausführung  
auf Anfrage*

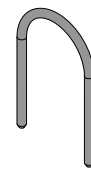
## Spare parts *Ersatzteile*

### O-Rings *O-Ringe*



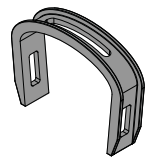
Article no. <i>Artikel-Nr.</i>	Dimensions <i>Maße</i>	Material <i>Material</i>	Suitable for <i>Passend für</i>
02633	25,0 x 4,0 mm	FPM-75	AS30
05243	35,0 x 4,0 mm	FPM-75	AS40
37628	38,0 x 3,0 mm	FPM-75	
41214	42,0 x 3,0 mm	FPM-75	AS50
18544	40,0 x 4,0 mm	FPM-75	

### Safety Pins *Sicherungsstecker*



Article no. <i>Artikel-Nr.</i>	Length <i>Länge</i>	Suitable for <i>Passend für</i>
02632	standard	AS30
05241	standard	AS40
17997	standard	AS50

### Retainer *Halteclip*



Article no. <i>Artikel-Nr.</i>	Suitable for <i>Passend für</i>
84158	P150 P200 P260
84156	P300 P380 P500